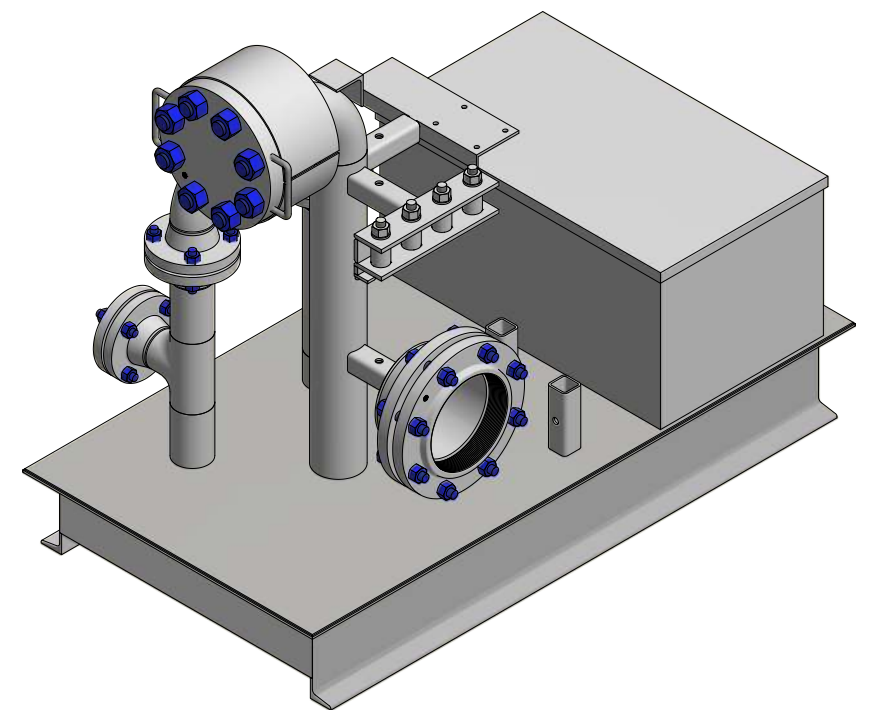


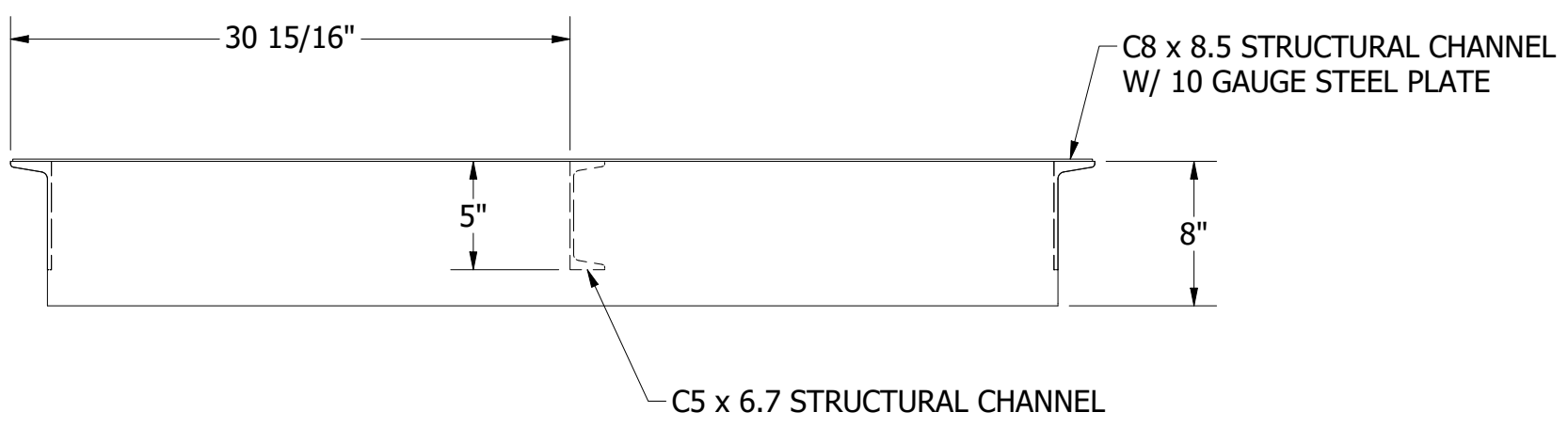
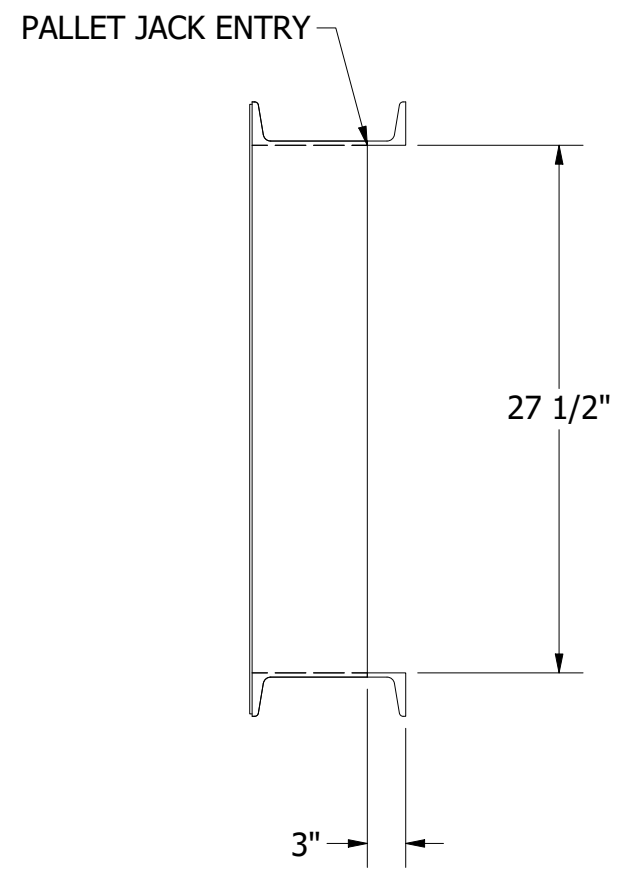
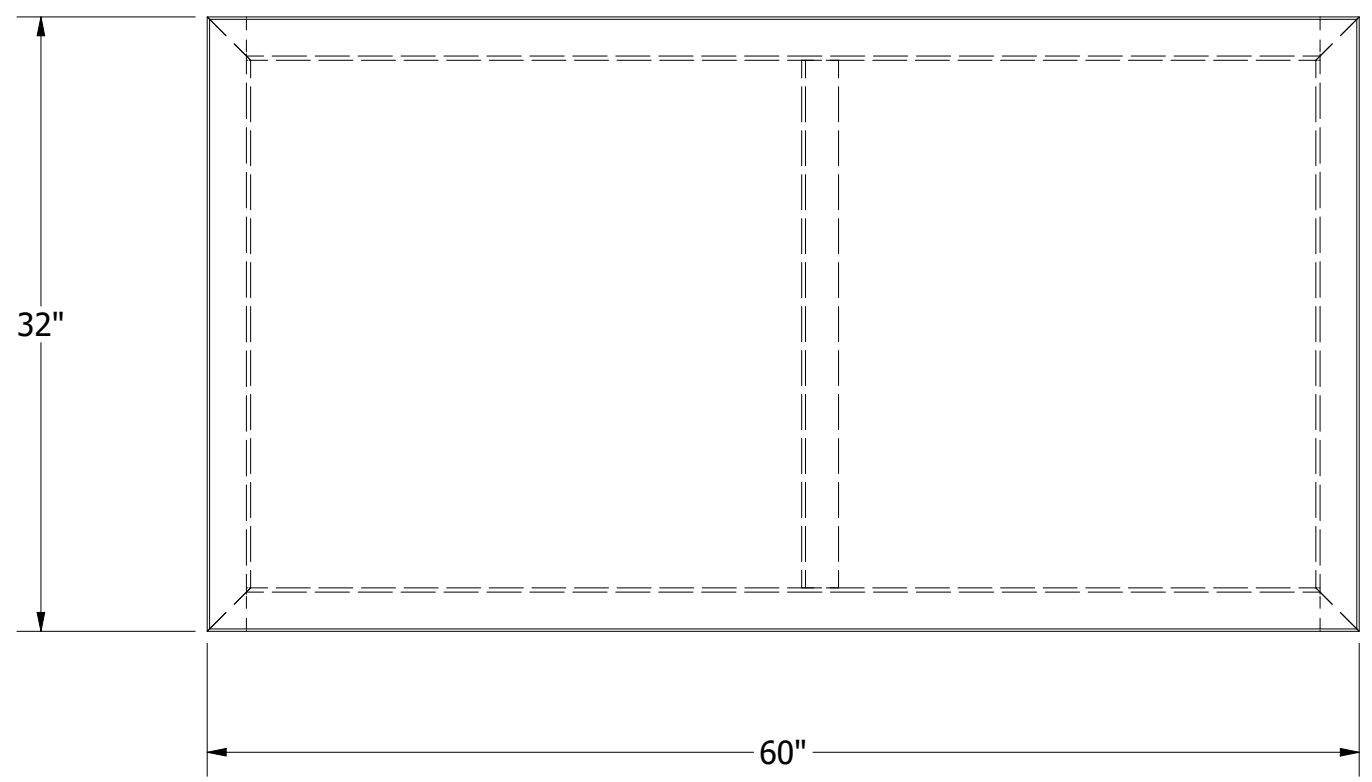
MATERIAL LIST		
ITEM	QUANTITY	DESCRIPTION
1	1	8" 150 ANSI RTJ WN FLANGE
2	1	8" 150 ANSI RTJ THREADED FLANGE
3	1	4" 1500 ANSI RF WN FLANGE
4	1	4" 1500 ANSI RF BLIND FLANGE
5	6	3" 150 ANSI RF WN FLANGE
6	1	THREE BOLT K-FACTOR SYSTEM
7	1	C8 x 11.5 SKID w/ PALLET JACK ENTRY
8	1	TOOL CHEST, 31" x 18" x 15"
9	1	COMPUTER MONITOR MOUNT




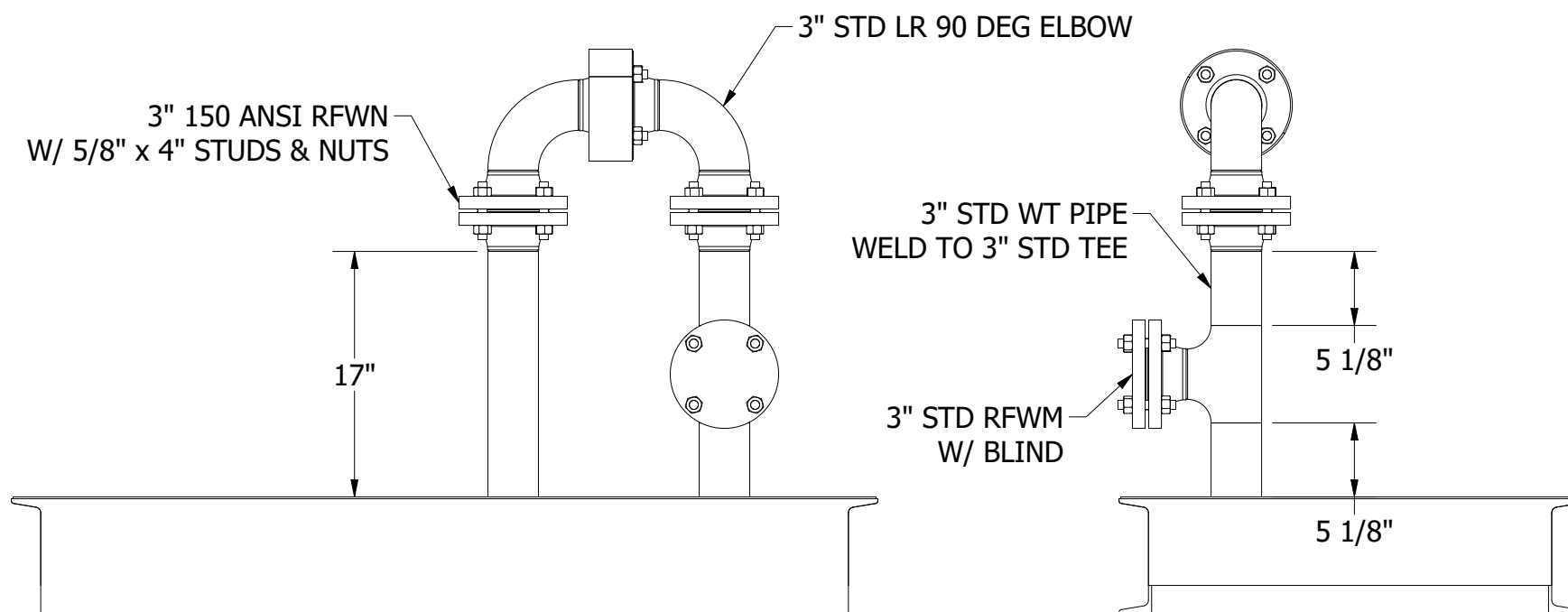
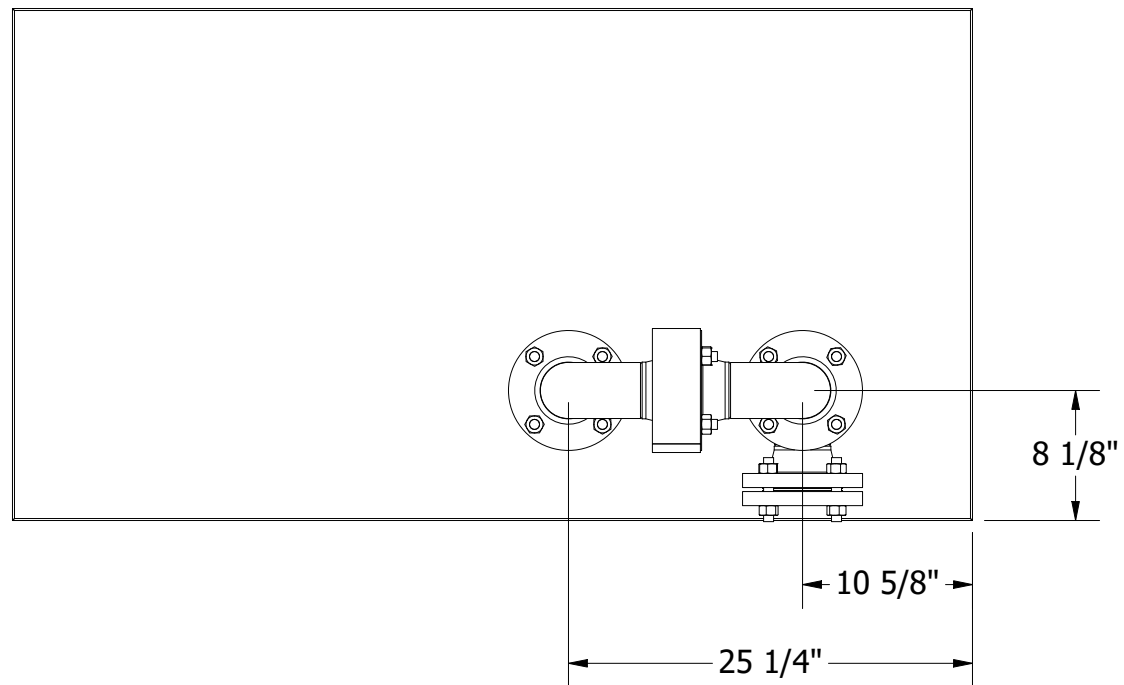
REV	CHKD	APPD	DATE	DESCRIPTION
D	SPD	SPD	10/1/20	ISSUED FOR CUSTOMER APPROVAL
C	SPD	SPD	9/21/20	ISSUED FOR CUSTOMER APPROVAL
B	SPD	SPD	9/13/20	ISSUED FOR CUSTOMER APPROVAL




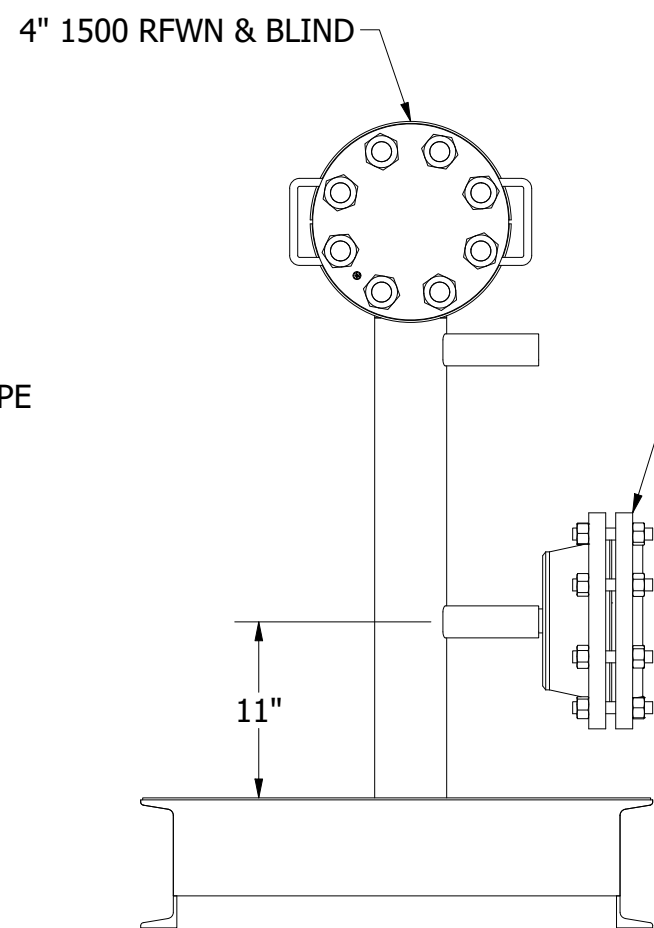
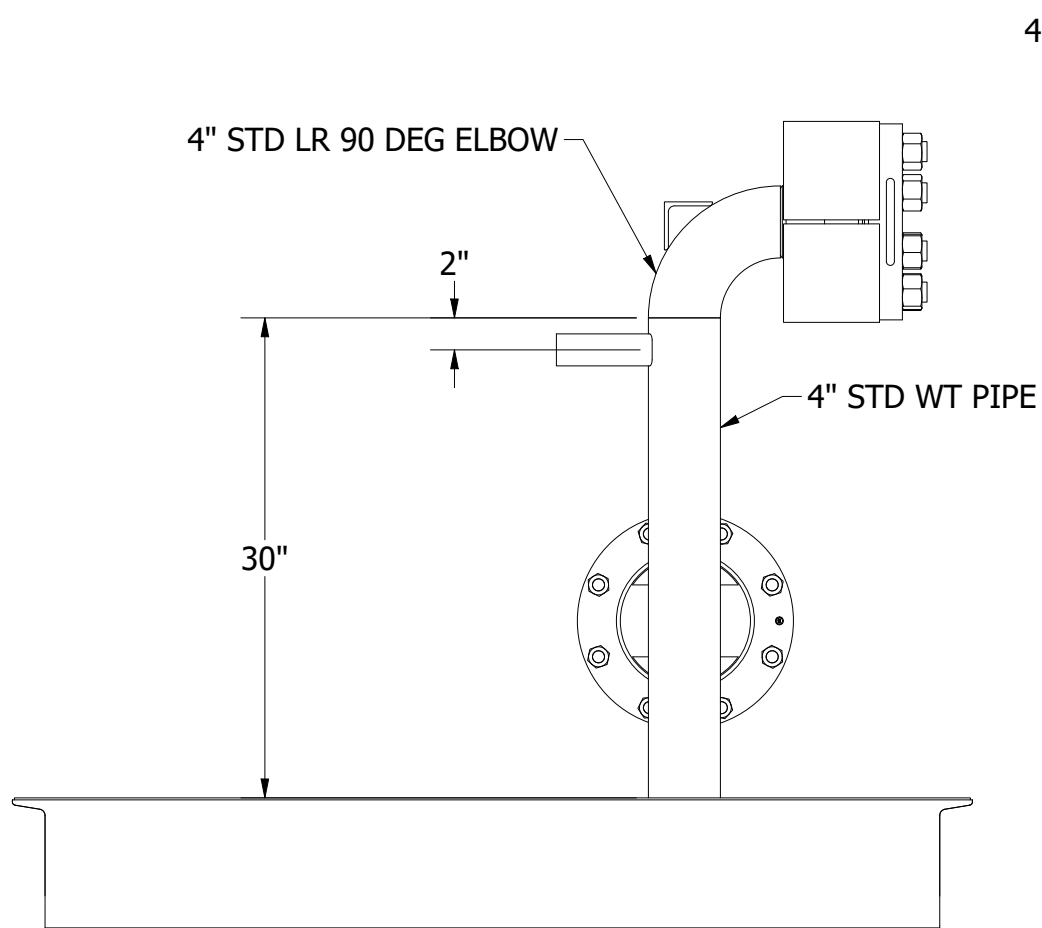
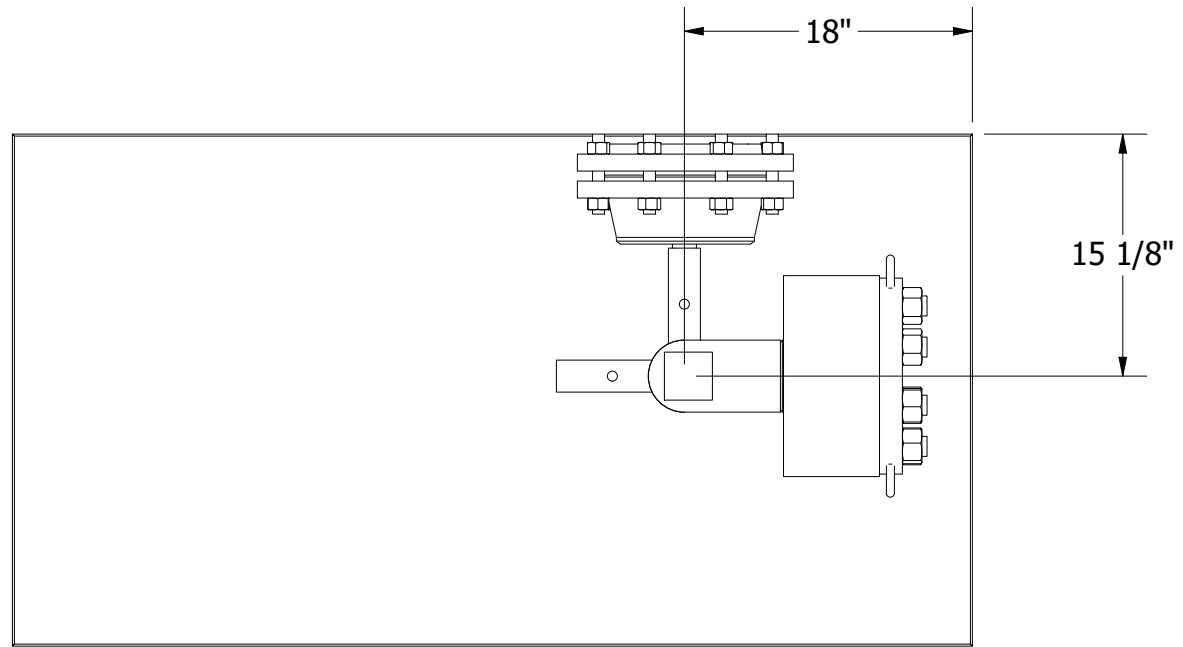
TITLE	HEX TECHNOLOGY		
DRAWING NO.	FLANGED DEMO UNIT		
PROJECT NO.	EST	SHT 1 of 5	SCALE 1/15



 <p>METER ENGINEERS</p> <p>1600 E Tigua Kechi, Kansas 67067</p>	TITLE		
	HEX TECHNOLOGY		
DRAWING NO.			
FLANGED DEMO UNIT			
PROJECT NO.	SHT	SCALE	
EST	2 of 5	1/10	



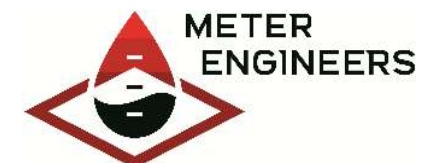
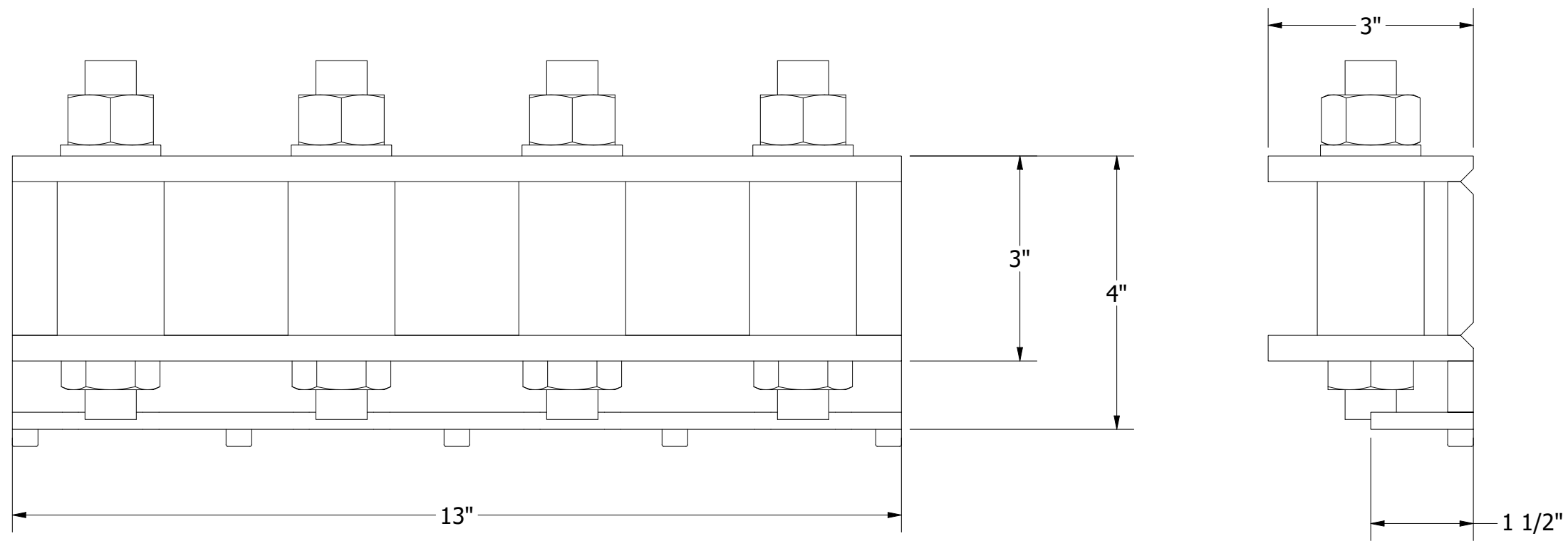
 <p>METER ENGINEERS 1600 E Tigua Kechi, Kansas 67067</p>			TITLE		
			HEX TECHNOLOGY		
DRAWING NO.			FLANGED DEMO UNIT		
PROJECT NO.	SHT	SCALE			
EST	3 of 5	1/12			



8" 150 ANSI RTJ WN & BLIND
W/ 3/4" x 5" STUDS & NUTS
WELD BACKER PLATE TO RECEIVER

METER ENGINEERS
1600 E Tigua
Kechi, Kansas 67067

TITLE		
HEX TECHNOLOGY		
DRAWING NO.		
FLANGED DEMO UNIT		
PROJECT NO.	SHT	SCALE
EST	4 of 5	1/12



**METER
ENGINEERS**

1600 E Tigua
Kechi, Kansas 67067

TITLE

HEX TECHNOLOGY

DRAWING NO.

FLANGED DEMO UNIT

PROJECT NO.

EST

SHT

5 of 5

SCALE

1/2